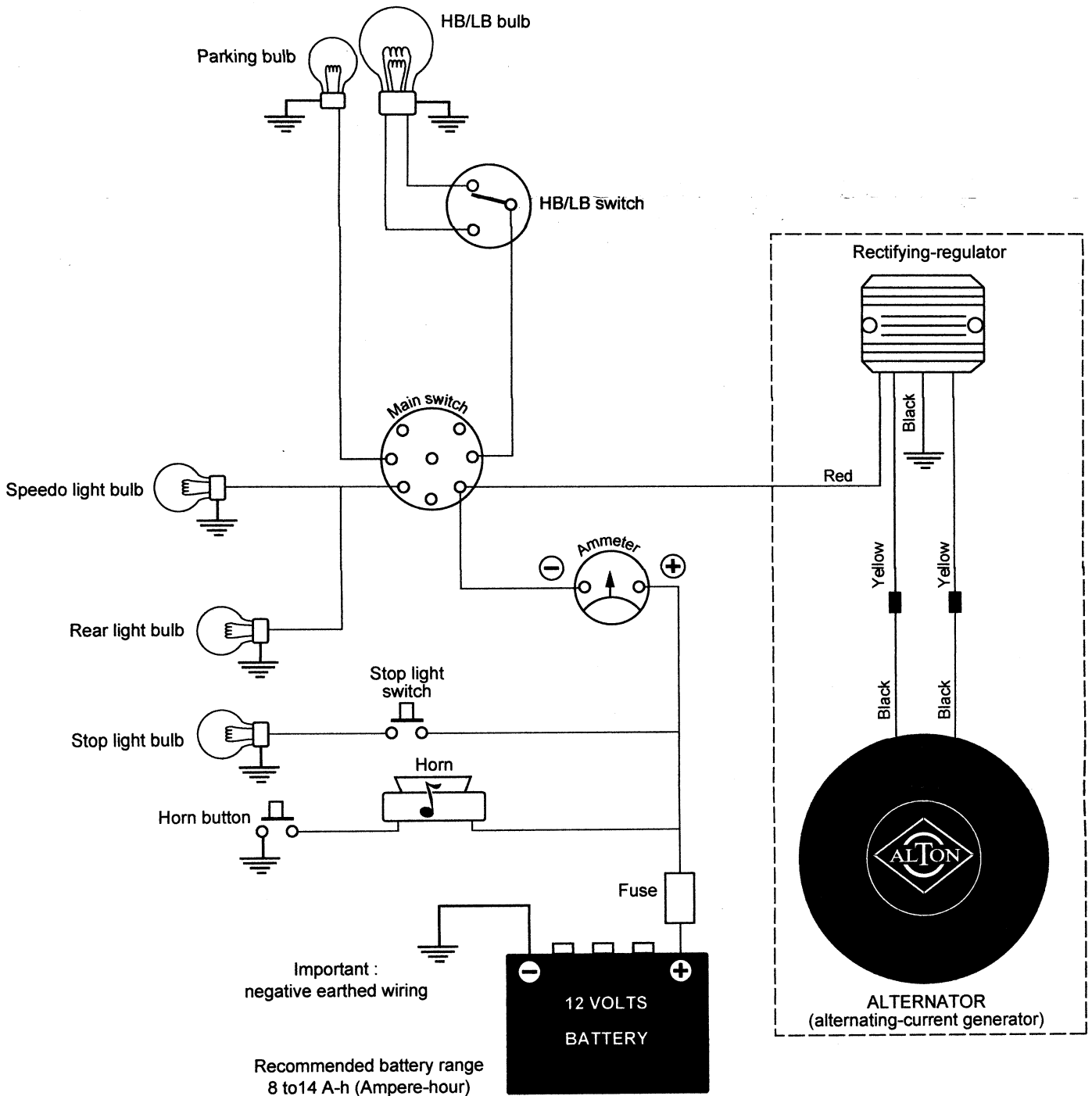


Typical diagram for connecting the Alton and its rectifying-regulator on a british classic motorcycle.

Important : the Alton and its rectifying-regulator must not be used without battery.
 Recommended battery range : 8 to 14 Ampere-hour good quality battery.



ALTON 24 route de Kerscao, F29480 Le Relecq Kerhuon. France

Phone : + 33 298 283575 - Fax : + 33 298 282361

E-mail : alton-france@orange.fr

http://www.alton-france.com

